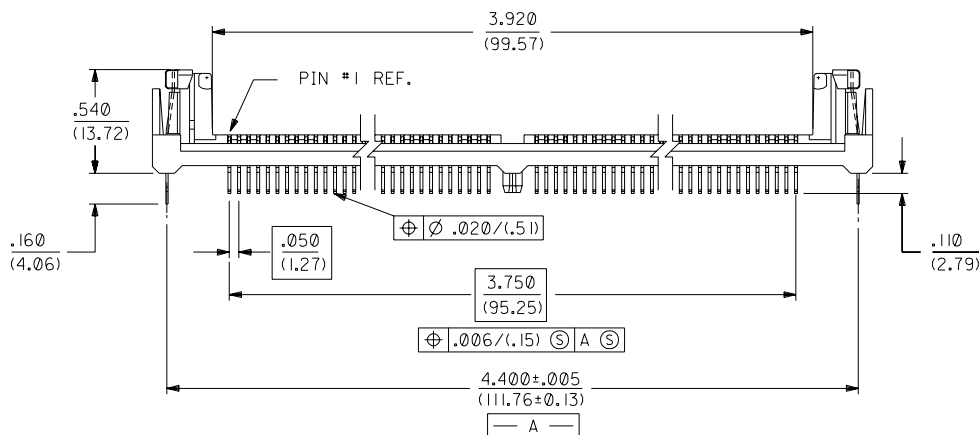
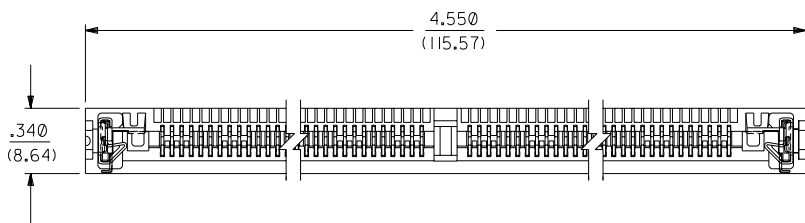


"SIMM" P.C. BOARD LAYOUT



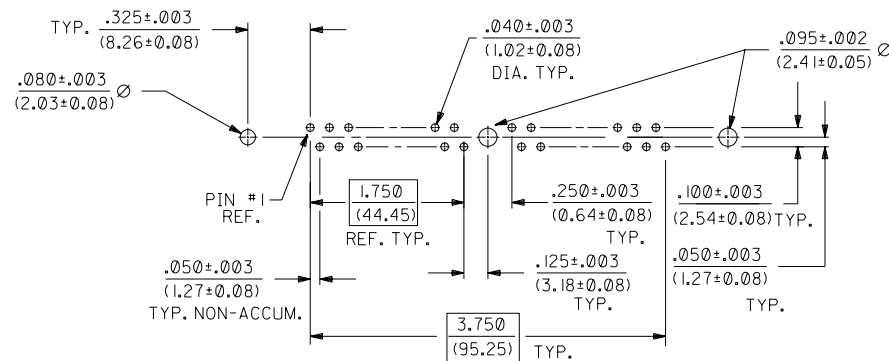
*THE PRIMARY SHIPPING CARTON WILL BE LABELED "COMPLIANT TO RoHS DIRECTIVE 2002/95/EC AND ELV ANNEX II OF DIRECTIVE 2000/53/EC" CARTONS WITHOUT THIS LABEL MAY CONTAIN PRODUCT WITH LEAD.

- NOTES:
- CARD SLOT ACCEPTS .050 +.004/-.003 P.C. BOARDS (MEASURED OVER P.C. PADS).
 - PRODUCT SPEC PS-78954 APPLIES
 - CENTER PEG IS AN INTERFERENCE FIT TO PCB UNLESS NOTED ON THE DWG. (APPLICABLE ONLY IF PART HAS A CENTER PEG FEATURE)

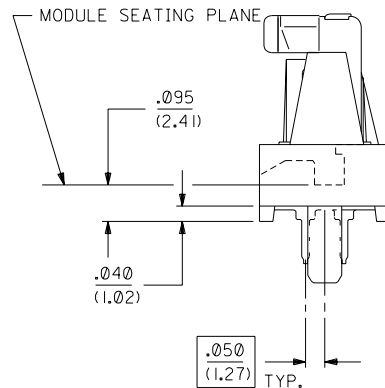
MATERIALS:

- HOUSING- LCP, GLASS FILLED, 94V-0, COLOR: BLACK
- TERMINAL- PHOSPHOR BRONZE
- PLATING- POST PLATED 30 μin/(0.76 μm) MINIMUM GOLD IN CONTACT AREA AND 150 μin/(3.81 μm) MINIMUM TIN IN TAIL AREA OVER 75 μin/(1.91 μm) MINIMUM NICKEL OVERALL.
- * REFERENCE NOTE IN LOWER LEFT CORNER OF DRAWING.

METAL LATCH- STAINLESS STEEL



RECOMMENDED SOCKET P.C. BOARD HOLE PATTERN



END VIEW SCALE 4:1

F	LEAD FREE UCP2004-1582 RWHITE 04/02/24
E	REVISED PER ECR# U51309 GMY 8-18-95
D	REDRAWN PER ECR U20649 AMD 6-10-92
C	REVISED/UPDATED PER ECR U0 0647 SEC 9-18-90
B	CORRECTED/REVISED PER ECR U0 0324 SEC 4-17-90
A	RELEASE FOR MFG. PER ERO 29297 SEC 12-05-89

DIMENSIONS SHOWN (METRIC) INCH		UNLESS OTHERWISE SPECIFIED TOLERANCES: ANGULAR ± 1/2°		DRAFT WHERE APPLICABLE MUST REMAIN WITHIN DIMENSIONS	
3 PLACE	± .010	---	---	---	---
2 PLACE	± .014	± 0.25	---	---	---
1 PLACE	---	± .035	---	---	---
MFG. SH. REV. LTR. REVISIONS		TITLE			
		72 CIRCUIT METAL LATCH VERTICAL SIMM SOCKET			
PART NO.		SHEET NO.		DATE	
15-82-0762		1		12/05/89	
DRWG. NO.		SDA-78962-7232			
FILE NAME		THIS DRAWING CONTAINS INFORMATION THAT IS PROPRIETARY TO MOLEX INC. AND SHOULD NOT BE USED WITHOUT WRITTEN PERMISSION			
S78962X34		DA			
SCALE		2 : 1			